



**COMMERCIAL GAS SERVICE PARTS LIST**

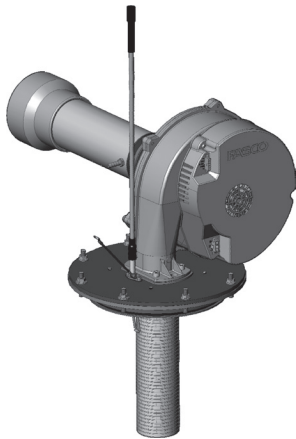
American Water Heater Parts Fulfillment  
125 Southeast Parkway • Franklin, TN 37068  
www.americanwaterheater.com • 1-800-433-2545

**MODELS:**  
**(A)HCG 119T300**  
**(A)HCG 119T400**  
**(A)HCG 119T500**  
**Series:**  
**300/301**

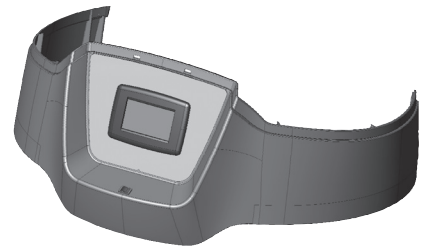
**(A)HCG3 119T300 through (A)HCG 119T500**  
See Page 2



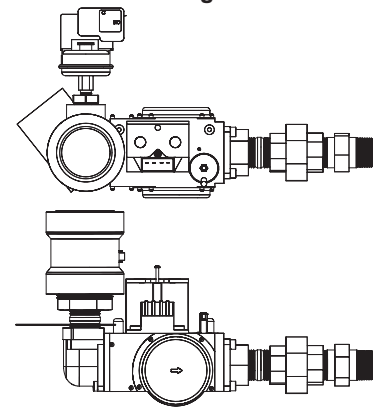
**BLOWER/BURNER ASSEMBLY**  
See Page 5



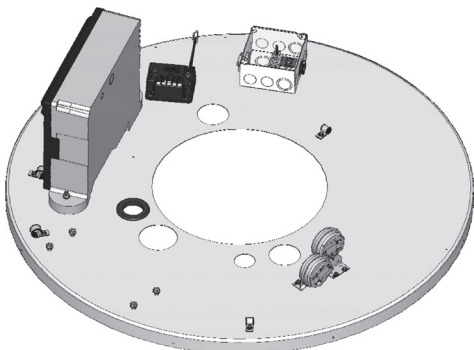
**DISPLAY CONTROL ASSEMBLY**  
See Page 2



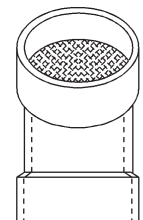
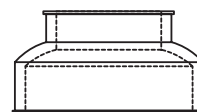
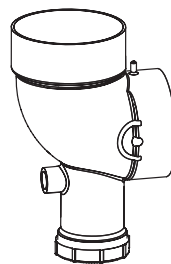
**GAS VALVE**  
See Page 4



**OPERATING CONTROL**  
See Page 3

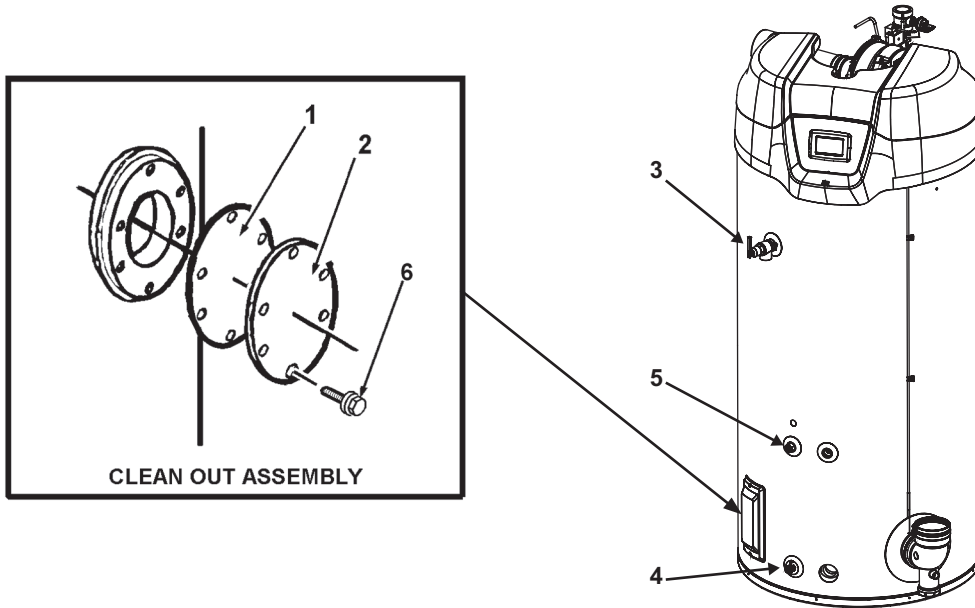


**EXHAUST ELBOW, VENT KIT & BLOWER INTAKE PARTS**  
See Page 6



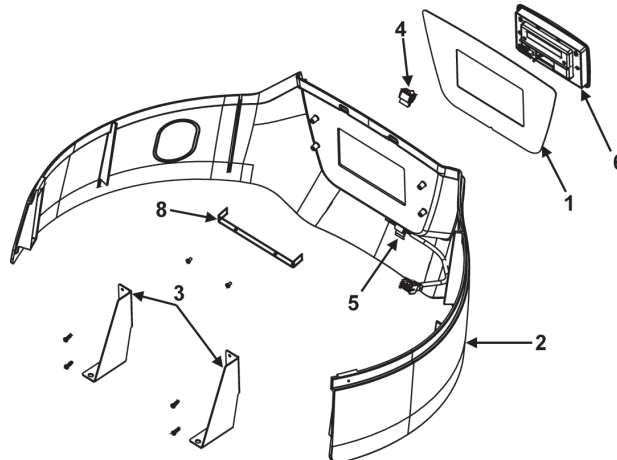
**(A)HCG3 119T300 - (A)HCG3 119T500 - Cleanout Assembly/T&P/Drain Valve Parts**

Item	Description	(A)HCG3 119T300 300/301	(A)HCG3 119T400 300/301	(A)HCG3 119T500 300/301
1.....	Cleanout Gasket.....	9004099215	9004099215	9004099215
2.....	Cover, Cleanout.....	9005797205	9005797205	9005797205
3.....	Temperature and Pressure Relief Valve.....	9005903205	9005903205	9005903205
4.....	Drain Valve.....	9009085015	9009085015	9009085015
5.....	Lower Temperature Probe.....	100271886	100271886	100271886
6.....	Thread Forming Screws.....	9004100215	9004100215	9004100215



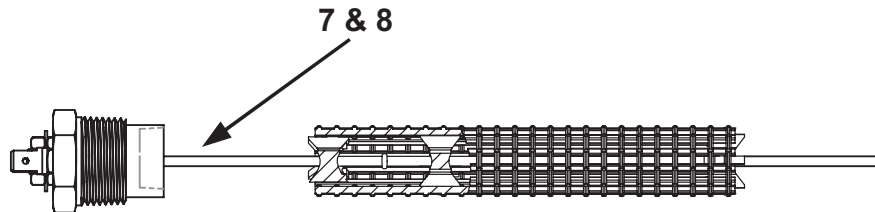
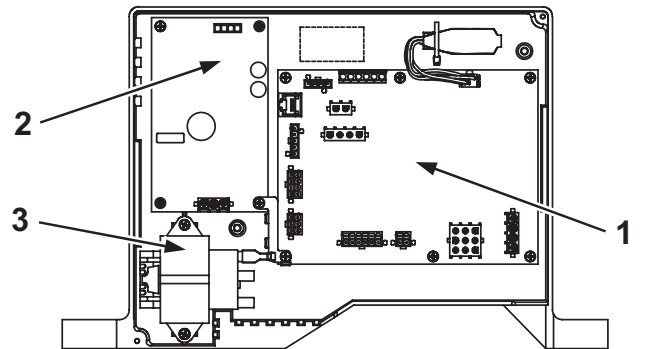
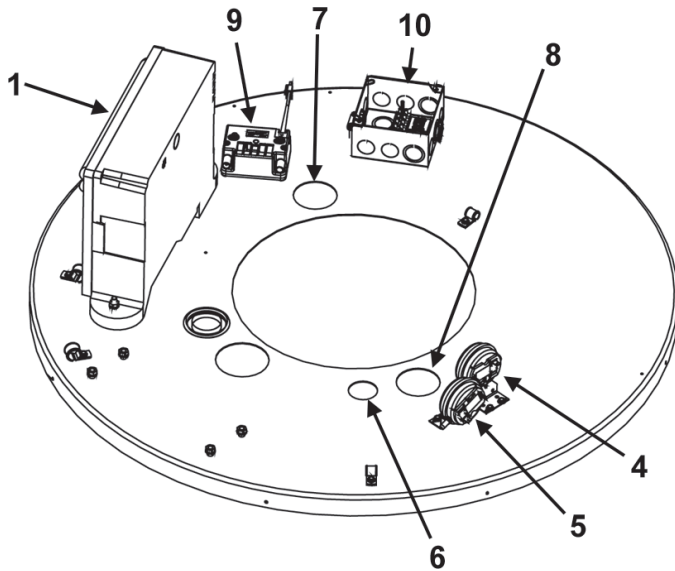
**DISPLAY CONTROL ASSEMBLY**

Item	Description	(A)HCG3 119T300 300/301	(A)HCG3 119T400 300/301	(A)HCG3 119T500 300/301
1.....	Display Overlay.....	334316-002	334316-002	334316-002
2.....	Display Band.....	334068-000	334068-000	334068-000
3.....	Display Band Mount.....	9006271015	9006271015	9006271015
4.....	Enable/Disable Switch.....	193243-001	193243-001	193243-001
5.....	Switch Wire Connection.....	328918-000	328918-000	328918-000
6.....	User Interface Module - UIM.....	100271881	100271881	100271881
7.....	UIM COMM Cable (not shown).....	334445-000	334445-000	334445-000
8.....	Bracket, UIM Mounting.....	334317-000	334317-000	334317-000



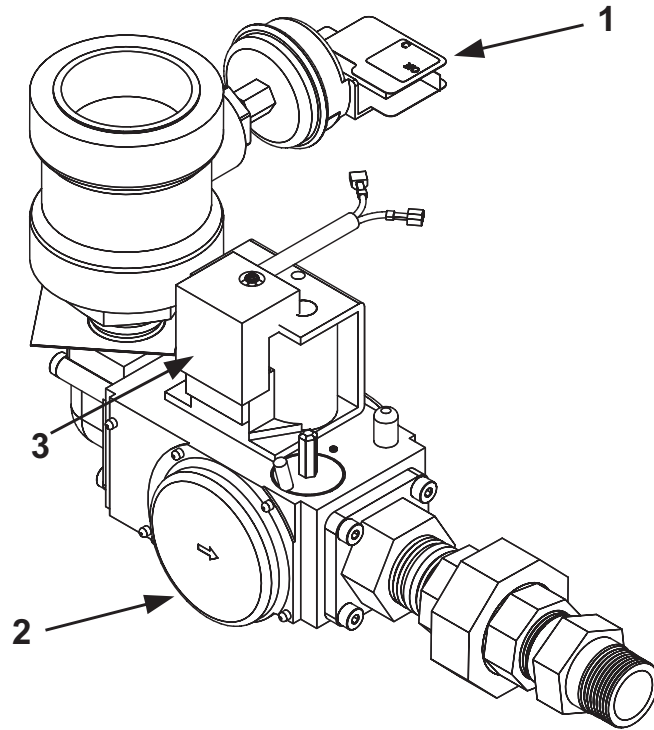
**(A)HCG3 119T300 - (A)HCG3 119T500 - OPERATING CONTROLS & WIRING**

Item	Description	(A)HCG3 119T300 300/301	(A)HCG3 119T400 300/301	(A)HCG3 119T500 300/301
1	CCB Board - Programmed	9008907015	9008907015	9008907015
2	Power Supply Board	9008872005	9008872005	9008872005
3	Transformer	9008874005	9008874005	9008874005
4	Blocked Intake Switch	9008996015	9008996015	9008996015
5	Blocked Outlet Switch	9008905015	9008905015	9008905015
6	Upper Temperature / ECO Probe	100271885	100271885	100271885
7	Powered Anode - Short	9008936005	9008936005	9008936005
8	Powered Anode - Long	9006246005	9006246005	9006246005
9	Spark Ignition Transformer	100271921	100271921	100271921
10	Junction Box Assembly w/Harness	325118-004	325118-004	325118-004



**(A)HCG3 119T300 - (A)HCG3 119T500 - GAS VALVE ASSEMBLY**

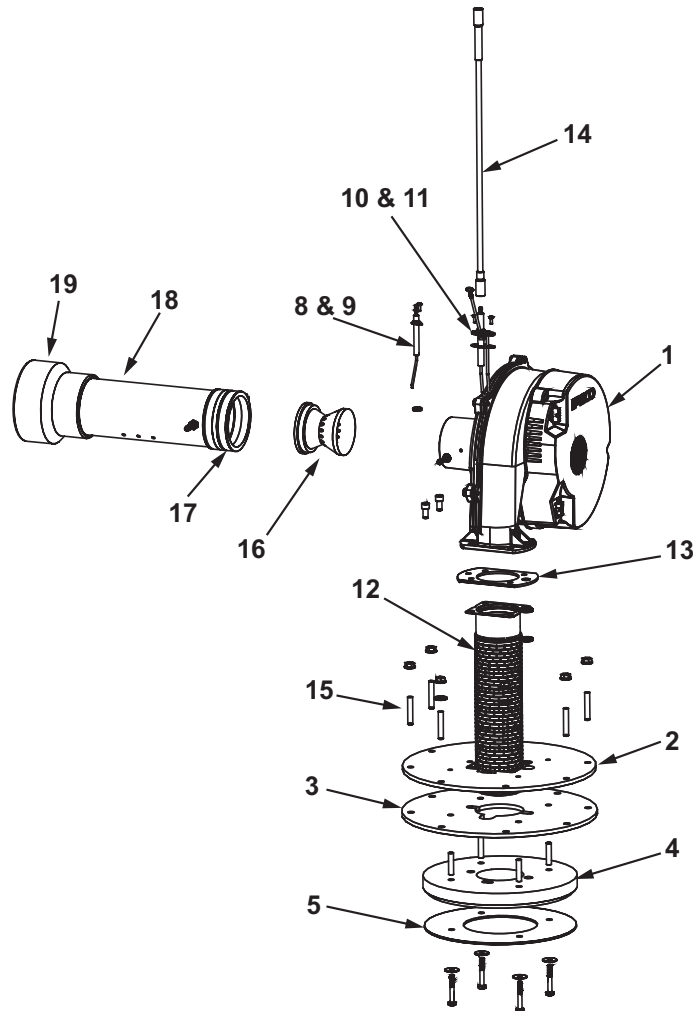
Item	Description	(A)HCG3 119T300 300/301	(A)HCG3 119T400 300/301	(A)HCG3 119T500 300/301
1	Switch, Low Gas Pressure , Natural Gas .....	9006256015 .....	9006256015 .....	9006256015 .....
	LP Gas.....	9006255015 .....	9006255015 .....	9006255015 .....
2	Valve, Gas Natural & LP .....	9008922005 .....	9008922005 .....	9008922005 .....
3	Rectifier Plug Assembly.....	317069-000/IPO .....	317069-000/IPO .....	317069-000/IPO .....



**(A)HCG3 119T300 - (A)HCG3 119T500 - BLOWER/BURNER ASSEMBLY**

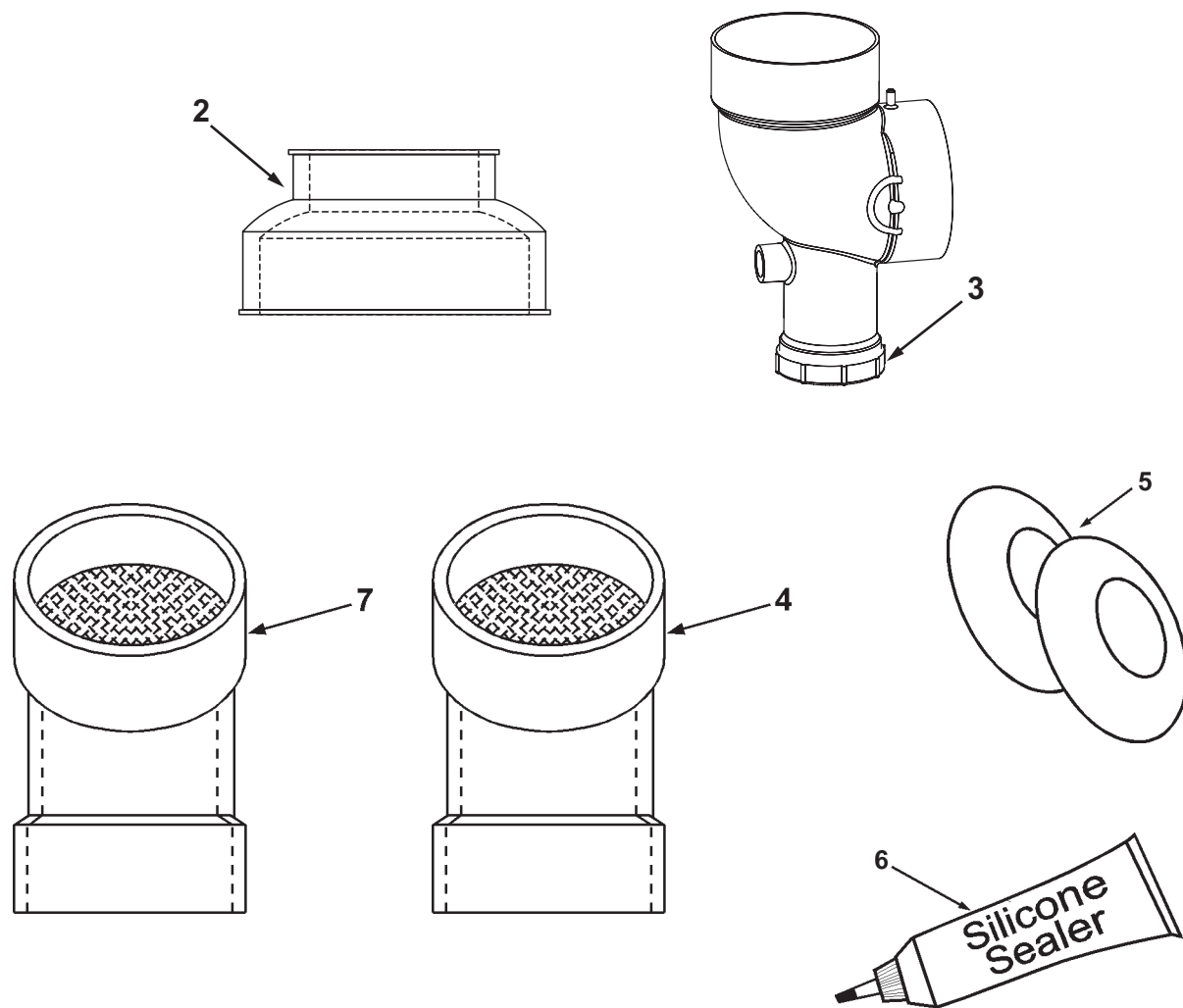
Item	Description	(A)HCG3 119T300 300/301	(A)HCG3 119T400 300/301	(A)HCG3 119T500 300/301
1	Blower Assembly	100271887	100271887	100271887
2	Burner Mounting Plate	320713-001	320713-001	320713-001
3	Burner Plate Gasket	9008924005	9008924005	9008924005
4	Insulation Disk -Pyrolite	9008925015	9008925015	9008925015
5	SS Heat Shield	9008926015	9008926015	9008926015
6	View Port - Glass (Not Shown)	9006102215	9006102215	9006102215
7	View Port Gasket (Not Shown)	9006103215	9006103215	9006103215
8	Flame Sensor Rod	9008928015	9008928015	9008928015
9	Flame Sensor Rod Gasket	318532-000	318532-000	318532-000
10	Spark Rod	100271889	100271889	100271889
11	Spark Rod Gasket	321751-000	321751-000	321751-000
12	Burner	9008929005	9008929005	9008929005
13	Burner/Blower Gasket	9008930015	9008930015	9008930015
14	Spark Ignition Cable*	100271890	100271890	100271890
15	Stud - 5/16-18 x 1-3/4"	196881-001	196881-001	196881-001
16	Blower Intake Venturi	9008931015	9008931015	9008931015
17	Rubber Coupling	9006107205	9006107205	9006107205
18	Intake Tube 3" PVC	194923-006	194923-006	194923-006
19	Blower Intake Reducer Assembly	9008932005	9008932005	9008932005

**\*Supplied with Spark Igniter and Spark Ignition Transformer.**



**4" EXHAUST CONNECTOR AND VENT KIT ASSEMBLIES - MODELS (A)HCG3 119T300 - (A)HCG3 119T500**

Item	Description	(A)HCG3 119T300 300/301	(A)HCG3 119T400 300/301	(A)HCG3 119T500 300/301
<b>EXHAUST ELBOW AND FITTINGS</b>				
1	Exhaust/Condensate Elbow Assembly	9008909005	9008909005	9008909005
2	Connector, Exhaust	9006111205	9006111205	9006111205
3	Condensate Trap Gasket	328019-000	328019-000	328019-000
<b>VENT KIT PARTS</b>				
4	Intake/Exhaust Vent Terminal	9006112205	9006112205	9006112205
5	Wall Plates (2 required)	9006113205	9006113205	9006113205
6	Silicone Sealer, 2 oz. tube	9004365105	9004365105	9004365105
7	Exhaust Vent Terminal (Canada)	9006331005	9006331005	9006331005



**NOTES:**



American Water Heater Parts Fulfillment  
125 Southeast Parkway  
Franklin, TN 37068  
1-800-433-2545  
[www.americanwaterheater.com](http://www.americanwaterheater.com)